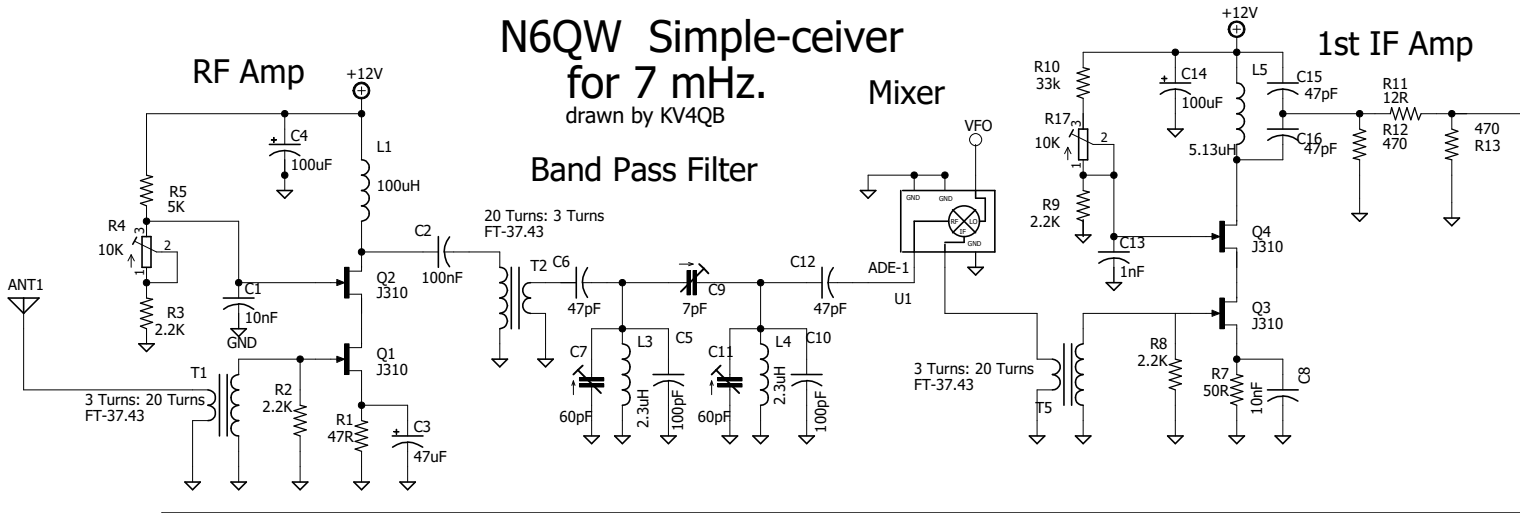


# N6QW Simple-ciever for 7 mHz.

drawn by KV4QB

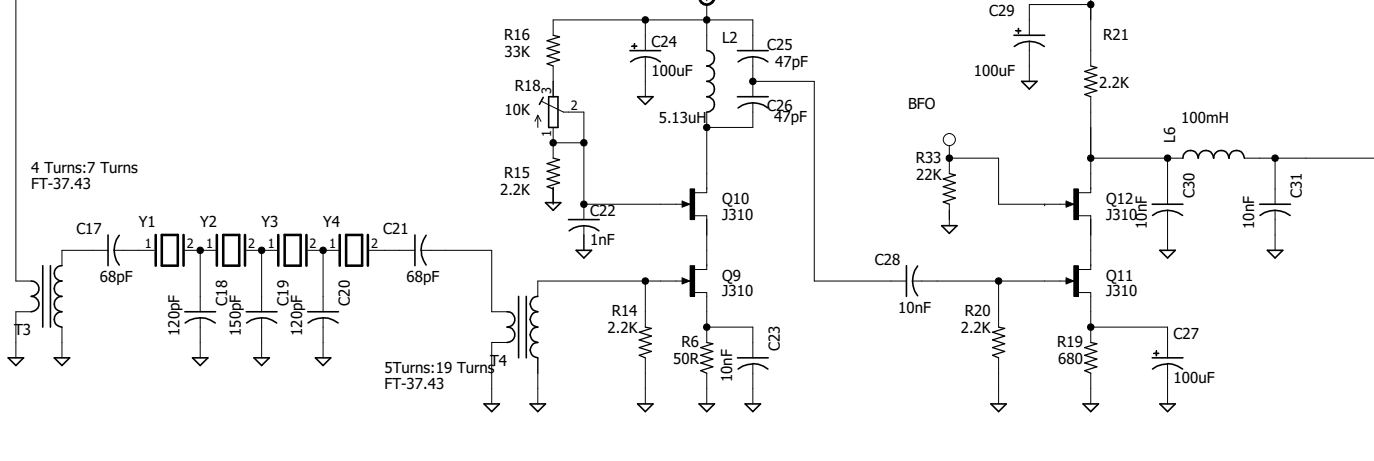
## Band Pass Filter



## 12.0 mHz Crystal Filter

## 2nd IF Amp

## Product Detector



## Audio Amplifier

## BFO

